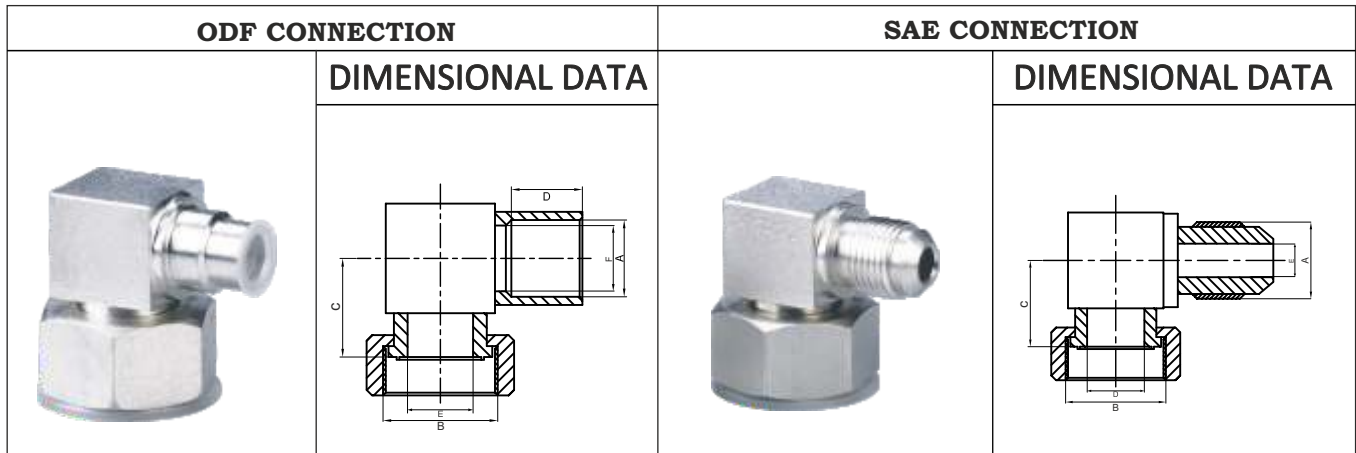


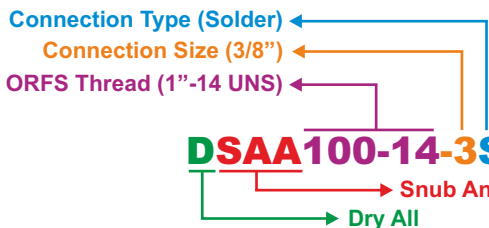
ROTOLOCK SNUB ADAPTOR (ANGLE TYPE)

IMAGES, DRAWINGS & MODELS AVAILABLE



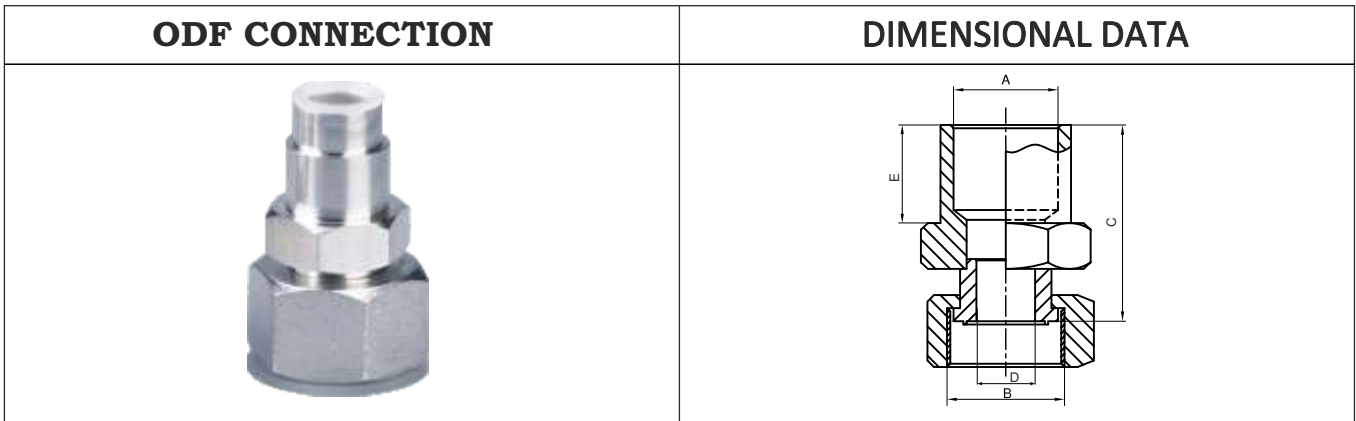
Sr. No.	Model No.	Connection Size (SAE)	ORFS Thread	C		D		E	
				mm	inch	mm	inch	mm	inch
1	DSAA34-16F-2F	1/4"	3/4"-16UNF	19	0.75	8	0.31	4.5	0.18
2	DSAA34-16F-3F	3/8"		19	0.75	8	0.31	8	0.31
3	DSAA34-16F-4F	1/2"		19	0.75	8	0.31	10	0.39
4	DSAA100-14S-3F	3/8"	1"-14 UNS	19	0.75	12	0.47	8	0.31
5	DSAA100-14S-4F	1/2"		19	0.75	12	0.47	10	0.39
6	DSAA100-14S-5F	5/8"		20	0.79	12	0.47	13	0.51
7	DSAA100-14S-6F	3/4"		20	0.79	12	0.47	16	0.63
8	DSAA114-12F-6F	3/4"	1-1/4" - 12 UNF	26.7	1.05	18	0.71	16	0.63

Sr. No.	Model No.	Connection Size (ODF)	ORFS Thread	C		D		E		F		
				mm	inch	mm	inch	mm	inch	mm	inch	
1	DSAA34-16F-2S	1/4"	3/4"-16UNF	19	0.75	8	0.31	8	0.31	5	0.20	
2	DSAA34-16F-2.5S	5/16"		19	0.75	8	0.31	8	0.31	7	0.28	
3	DSAA34-16F-3S	3/8"		19	0.75	8	0.31	8	0.31	8	0.31	
4	DSAA100-14S-3S	3/8"	1"-14 UNS	19	0.75	8	0.31	12	0.47	8	0.31	
5	DSAA100-14S-4S	1/2"		19	0.75	8	0.31	12	0.47	10	0.39	
6	DSAA100-14S-5S	5/8"		20	0.79	15	0.59	13	0.51	13	0.51	
7	DSAA100-14S-6S	3/4"		19	0.75	15	0.59	13	0.51	13	0.51	
8	DSAA114-12F-5S	5/8"	1-1/4" - 12 UNF	26.7	1.05	15	0.59	18	0.71	14	0.55	
9	DSAA114-12F-6S	3/4"		26.7	1.05	16	0.63	18	0.71	16	0.63	
10	DSAA114-12F-7S	7/8"		26.7	1.05	20	0.79	18	0.71	18	0.71	
11	DSAA114-12F-9S	1-1/8"		26.7	1.05	20	0.79	18	0.71	18	0.71	
12	DSAA114-12F-11S	1-3/8"		27.5	1.08	20	0.79	18	0.71	18	0.71	
13	DSAA114-12F-13S	1-5/8"		27.5	1.08	20	0.79	18	0.71	18	0.71	
14	DSAA134-12-6S	3/4"		1-3/4" - 12 UN	27.5	1.08	20	0.79	19	0.75	16	0.63
15	DSAA134-12-7S	7/8"			27.5	1.08	20	0.79	19	0.75	18	0.71
16	DSAA134-12-9S	1-1/8"	27.5		1.08	20	0.79	19	0.75	18	0.71	
17	DSAA134-12-11S	1-3/8"	30.7		1.21	22	0.87	27	1.06	26	1.02	
18	DSAA134-12-13S	1-5/8"	30.7		1.21	25	0.98	27	1.06	26	1.02	

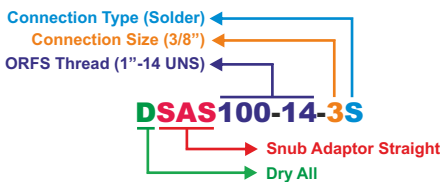


ROTOLOCK SNUB ADAPTOR (STRAIGHT TYPE)

IMAGE, DRAWING & MODELS AVAILABLE



Sr. No.	Model No.	Connection Size (ODF)	ORFS Thread	C		D		E	
				mm	inch	mm	inch	mm	inch
1	DSAS34-16F-2S	1/4"	3/4"-16UNF	30	1.18	8	0.31	8	0.31
2	DSAS34-16F-4S	1/2"		30	1.18	8	0.31	10	0.39
3	DSAS100-14S-3S	3/8"	1"-14 UNS	30	1.18	12	0.47	10	0.39
4	DSAS100-14S-4S	1/2"		35	1.38	12	0.47	10	0.39
5	DSAS100-14S-5S	5/8"		35	1.38	12	0.47	16	0.63
6	DSAS100-14S-6S	3/4"		35	1.38	12	0.47	16	0.63
7	DSAS114-12F-5S	5/8"	1-1/4"-12UNF	37.7	1.48	18	0.71	16	0.63
8	DSAS114-12F-6S	3/4"		37.7	1.48	18	0.71	16	0.63
9	DSAS114-12F-7S	7/8"		43.7	1.72	18	0.71	20	0.79
10	DSAS114-12F-9S	1-1/8"		50.7	2.00	18	0.71	20	0.79
11	DSAS134-12-6S	3/4"	1-3/4"-12UN	50.7	2.00	19	0.75	20	0.79
12	DSAS134-12-7S	7/8"		45.5	1.79	19	0.75	20	0.79
13	DSAS134-12-9S	1-1/8"		55.2	2.17	19	0.75	20	0.79
14	DSAS134-12-11S	1-3/8"		55.2	2.17	19	0.75	20	0.79
15	DSAS134-12-13S	1-5/8"		57.7	2.27	19	0.75	20	0.79



GASKET

Sr. No.	Teflon ORing	ORFS SIZE	ID		OD		THK	
			mm	Inch	mm	Inch	mm	Inch
1	DOR - A	3/4"	11.1	0.44	14.3	0.56	1.5	0.06
2	DOR - B	1"	15.7	0.62	19.1	0.75	1.5	0.06
3	DOR - C	1-1/4"	22	0.87	25.4	1.00	1.5	0.06
4	DOR - D	1-3/4"	34.7	1.37	38.1	1.50	1.5	0.06
5	DOR - E	2-1/4"	47	1.85	51	2.01	1.8	0.07

